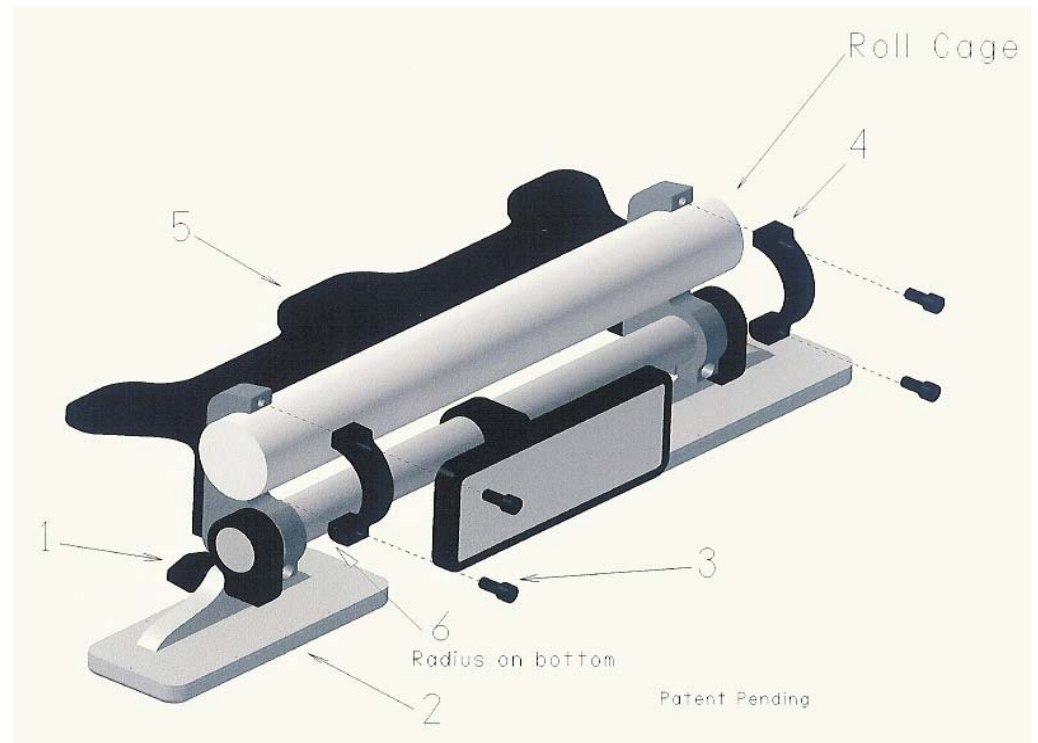


# BrakeAway Products Inc.

## Rear view mirror/Light bar Installation Instructions

1. Loosen the mirror adjustment knob(1) on the two outside mirror assemblies and rotate the assemblies down as shown. This will allow access to the clamp screws(3).
2. Remove all four clamp screws(3) and both clamps(4) from the assembly. NOTICE THAT THE RADIUS(6) ON THE CLAMP IS POINTING DOWN.
3. Locate the entire assembly centered on the front cross bar of the roll cage and have someone hold it there. Re-install the clamps (4) and the clamp screws(3). MAKE SURE THE RADIUS(6) ON THE CLAMP IS ON THE BOTTOM AS SHOWN. Do not tighten the screws(3) yet, leave them loose enough so that you can rotate the assembly on the roll bar.
4. Rotate the entire assembly on the roll bar to position the light bar(5). Consider any top or windshield you will be using when you set the light bar(5) position. Once the light bar is in position, tighten all four clamp screws(3).
5. Adjust the position of each mirror by loosening the adjustment knob(1) until the mirror will move both horizontally and vertically. When you have achieved the desired location, tighten the knob(1).



Now you're ready to install your lights